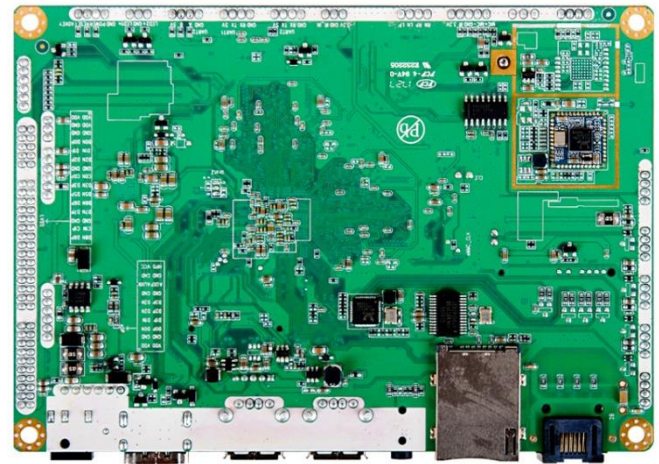
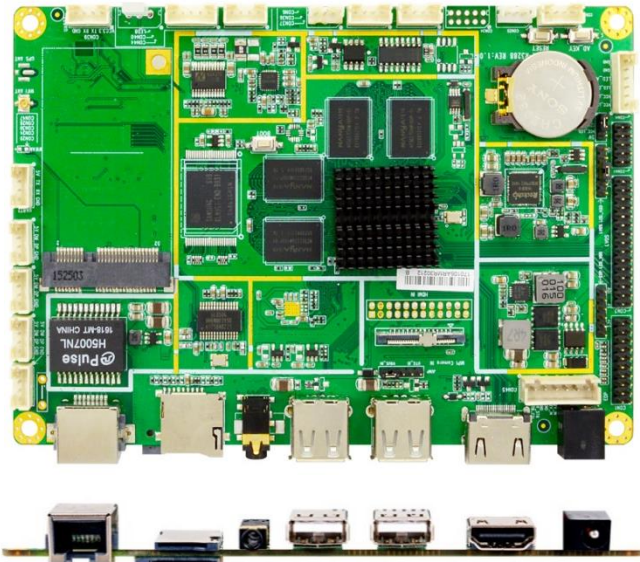


JARMR3288W Series

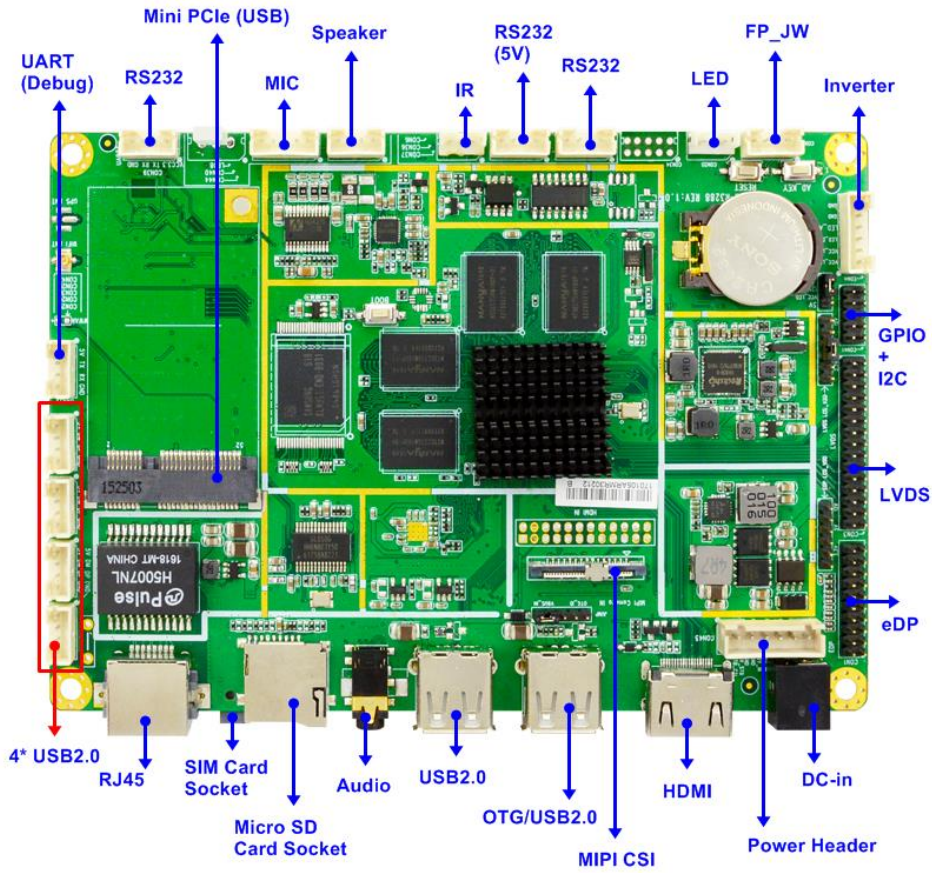
Rockchip® ARM Cortex A17 RK3288W, 1 * Mini PCIe,
HDMI/eDP/LVDS/MIPI, Bluetooth, WIFI, Android 9.0, Linux Debian 9.0



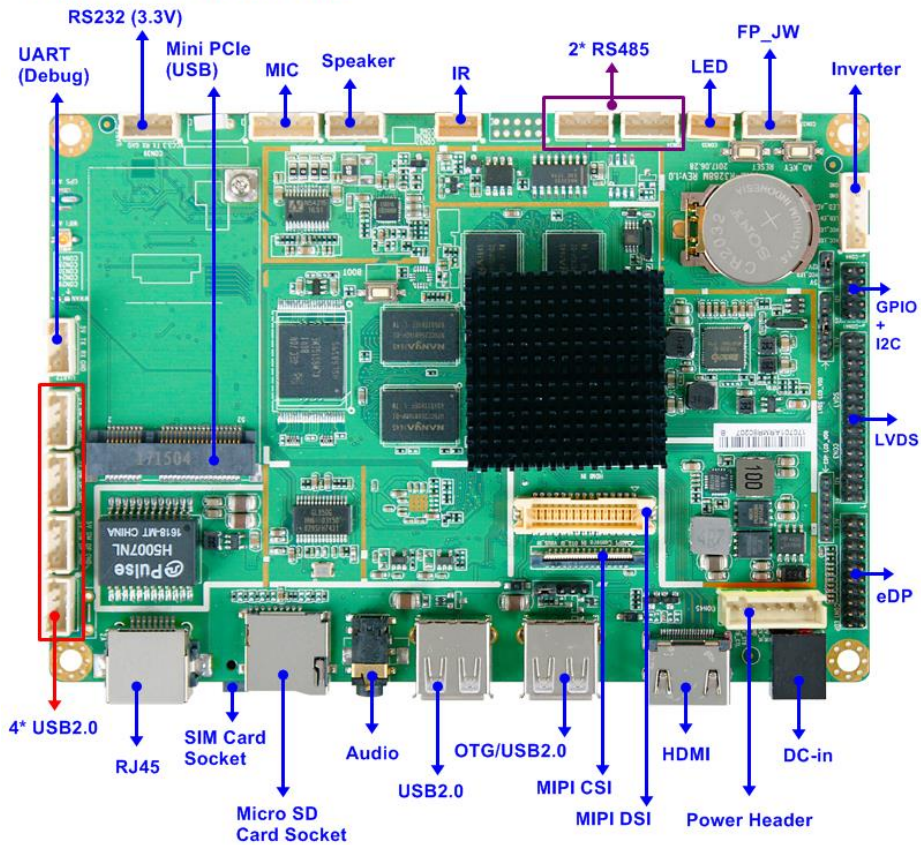
Features

1. Rockchip® ARM Cortex A17 RK3288W Quad-core 1.8GHz
2. DRAM : 2GB DDR3L 1333MHz on-board
3. Flash ROM : 8GB (Max. 64GB)
4. 1 * RJ45, 5 * USB2.0, 1* OTG (Option USB2.0), 4 * COM,1 * GPIO, 1 * MIPI CSI, 1 * Micro SD Card socket, 1 * SIM Card holder
5. 1 * HDMI (1920 x 1080@60Hz)
6. 1 * 24 bits Dual CH LVDS (1920 x 1200@60Hz)
7. 1 * eDP (2560 x 1200@60Hz)
8. 1 * MIPI DSI (1920 x 1080@60Hz, JARMR3288WM-2N only)
9. Support Android 9.0, Linux Debian 9.0
10. 3.5" Form Factor (148mm * 102mm)
11. For IOT & Equipment : Smart Meters, Residential Access Control, Agricultural Automation Equipment, Lottery machine, vending machine, coffee machine...etc.

JARMR3288W-2N



JARMR3288WM-2N



Specifications

Model / Part Number		
Model	- JARMR3288W-2N	- JARMR3288WM-2N
Part Number	- JARMR3288W-2N	- JARMR3288WM-2N
Form Factor		
Dimensions	- 3.5" SBC (148 * 102mm, 5.83" * 4.01")	
Processor System		
Processor/CPU	- Rockchip® ARM Cortex A17 RK3288W Quad-core 1.8GHz SoC Processor	
GPU	- Mali-T764 GPU, support AFBC	
Memory		
DRAM	- 2GB DDR3L 1333MHz on-board	
FLASH ROM	- 8GB (Max. 64GB)	
Ethernet		
Ethernet	- 1* Realtek RTL8211E-VB /10/100/1000Mbps	
Wifi	- RTL8723BS chip_802.11 b/g/n, 2.4G & BT 4.0	
3G / 4G / LTE	- SIM Card holder	
Graphics		
HDMI	- 1* HDMI (1920 x 1080@60Hz)	
LVDS	- 1* 24 bits Dual CH LVDS (1920 x 1200@60Hz)	
eDP	- 1* eDP (2560 x 1600@60Hz)	
MIPI	- N/A	- 1* MIPI (1920 x 1080 @60Hz)
Multi Display	- Dual display	
Expansion Slot		
Mini PCIe	- 1 (USB interface)	
Micro SD Socket	- 1 (Micro SD Socket, Max 64G)	
SIM Card Holder	- 1	
Special Features		
IR Support	- N/A	
OS Support	- Android 9.0, Linux Debian 9.0	
Watchdog Timer	- 0~255 Sec./Min. programmable	
Application	- IOT & Equipment : Smart Meters, Residential Access Control, Agricultural Automation Equipment, Lottery machine, vending machine, coffee machine...etc.	
I/O Port		
External I/O	- 1* HDMI - 1* RJ45 - 1* Audio - 2* USB2.0 (USB2 Support OTG)	- 1* HDMI - 1* RJ45 - 1* Audio - 2* USB2.0 (USB2 Support OTG)

	- 1* DC-in	- 1* DC-in
Internal I/O	- 1* eDP - 1* LVDS - 1* MIPI CSI (For camera) - 4* USB2.0 - 4* COM (3* RS232 + 1* UART (for Debug)) - 1* GPIO	- 1* eDP - 1* LVDS - 1* MIPI DSI - 1* MIPI CSI (For camera) - 4* USB2.0 - 4* COM (2* RS485 + 1* RS232 + 1* UART (for Debug)) - 1* GPIO

Power Requirements

Input PWR	12V DC-in - AT : Directly PWR on as Power input ready - ATX : Press Button to PWR on after Power input ready
-----------	--

Certifications

Certifications	- RoHS, CE, FCC, CE-LVD
----------------	-------------------------

Environment

Temperature	- Operating: -10°C ~ 60°C with 0.7 m/s air flow - Storage: -20°C ~ 70°C
-------------	--

Warranty

Warranty	- 2 Years Limited Warranty
----------	----------------------------

*Specifications subject to change without notice, not responsible for typographical errors. Does not include HDD or OS.

OS Support List

SKU	Android	Linux
RK3128	5.1	
RK3288	9.0	Debian 9.0
RK3328	7.1	
RK3399	7.1	Debian 9.0

Accessories

Part Number	Description
	JARMR3288W-2N / JARMR3288WM-2N

Tel: +886-2-89132711 E-mail: sales@jetway.com.tw Web: www.jetwayipc.com
Support: technic_support@jetway.com.tw or support_team@jetway.com.tw